



uTrust TS Government Readers

Mullion, Wall Mount, and Wall Mount Keypad



Robust, FICAM-certified readers for CAK validation systems enable compliance with FIPS 201, FIPS 140-2, and NIST SP800-116 publications.

Identiv's uTrust TS Government Readers offer an extensive product line that encompasses both single and dual-factor authentication configurations.

uTrust TS Readers offer an excellent balance of compliance, interoperability, and security for federal agencies, governmental contractors, and other facilities.

uTrust TS Government Readers are the industry's most flexible and highly secure intelligent door reader endpoint. They enable agencies to deploy a highly secure U.S. government FICAM card authentication key (CAK) at a fraction of the cost of competing solutions.

The readers support and read any PIV-based card with an ISO14443 contactless interface and a CAK certificate.

uTrust TS Government Readers include all of the features of uTrust TS Readers with a choice of RS-485 (OSDP) or Wiegand and support for Power over Ethernet (PoE), making it one of the most advanced edge door readers on the market.

The reader complies with FIPS 201 and FIPS 140-2, in addition to other international high-security standards.

FICAM Migration

Versatile platform with full range of FIPS 201 approved products

One Reader, All Major Credentials

Supports PIV, PIV-I, CIV, CAC, with optional support for legacy proximity

Certificate Checking at the Door

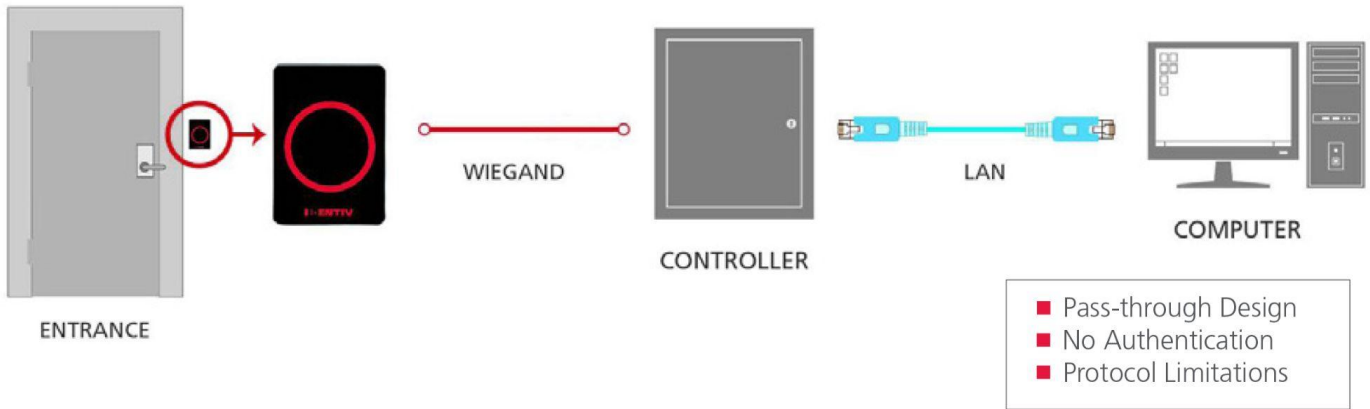
Fast, usable, FICAM-compliant card authentication key (CAK) validation

Federal Compliance

FICAM certified for CAK validation systems; enables compliance with FIPS 201, FIPS 140-2, and NIST SP800-116 publications

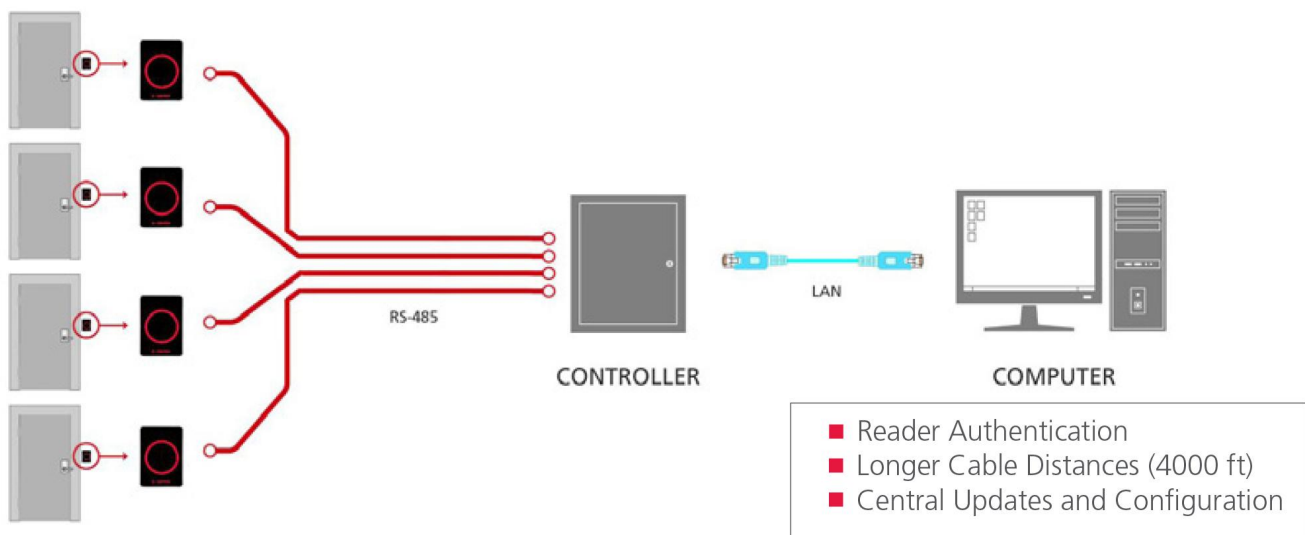
WIEGAND

Identiv's uTrust TS Government Reader solutions offer an excellent migration plan for existing Wiegand-based systems. These readers are a direct replacement for existing Wiegand card readers enabling a seamless transition to RS-485 ~~or Ethernet~~ communication for FICAM validation.



VALIDATION ARCHITECTURE | RS-485 (OSDP)

The uTrust TS Government Readers are the industry's most flexible and highly secure intelligent door reader endpoint. They enable agencies to deploy a highly secure U.S. government FICAM card authentication key (CAK) at a fraction of the cost of competitive solutions.



SECURE OSDP

The uTrust TS Government Readers offer optional secure OSDP between Mx controllers and TS readers to enable encrypted communications.

uTrust TS Mullion Government Reader Specifications

	TS Mullion HF	TS Mullion HF/LF	TS Wallmount HF	TS Wallmount HF/LF	TS Wallmount Keypad HF	TS Wallmount Keypad HF/LF
Part Numbers	8002ABP0000 8002ABT0000 8002ABPF000 8002ABTF000 8002ABPR000 8002ABTR000	8012ABP0000 8012ABT0000 8012ABPF000 8012ABTF000 8012ABPR000 8012ABTR000	8102ABP0000 8102ABT0000 8102ABPF000 8102ABTF000 8102ABPR000 8102ABTR000	8112ABP0000 8112ABT0000 8112ABPF000 8112ABTF000 8112ABPR000 8112ABTR000	8202ABP0000 8202ABT0000 8202ABPF000 8202ABTF000 8202ABPR000 8202ABTR000	8212ABP0000 8212ABT0000 8212ABPF000 8212ABTF000 8212ABPR000 8212ABTR000
Current Consumption (@12V)	100 mA Average 133 mA Peak		97 mA Average 114 mA Peak		110 mA Average 155 mA Peak	
Power Supply	5 - 16 VDC		5 - 16 VDC		6 - 16 VDC	
Dimensions	Body: 4.6 in (11.7 cm) H x 1.7 in (4.3 cm) W x 1.1 in (2.8 cm) D		Body: 4.6 in (11.7 cm) H x 3.1 in (7.8 cm) W x 1.1 in (2.8 cm) D		Body: 4.6 in (11.7 cm) H x 3.1 in (7.8 cm) W x 1.1 in (2.8 cm) D	
Weight	5 oz. (142 g)		10.25 oz (290 g)		10.93 oz (310 g)	

Common Specifications

	HF	HF/LF
Carrier Frequencies	13.56 MHz	13.56 MHz and 125 kHz
Low Frequency (125kHz) Compatibility	N/A	HID ® Prox, Indala ®, CASI-RUSCO®, AWID and others
High Frequency (13.56MHz) Compatibility	uTrust TS, MIFARE Classic, MIFARE DESFire EVx, ISO15693 UID, ISO14443A UID	
Housing Material	UL 94 Polycarbonate, Black	
Operating Temperature	-31 to 151° F (-35 to 66° C)	
Storage Temperature	-31 to 185° F (-35 to 85° C)	
Operating Humidity	5% to 95% relative humidity (non-condensing)	
Connections	Pigtail or Terminal Strip	
Status Indicator	RGB LED, Buzzer	
Data Protocols	Wiegand RS-485/OSDP (2 Wire - Half Duplex)	
OSDP Baud Rate/Address	115,200 kbps; Address 0, Address 1 (P1.1 to P1.4 jumper)	
Certifications	FCC, UL 294, CE, IC, RCM, RoHS2, REACH, UKCA, GSA APL	
Environmental Rating	Pigtail versions: IP67; Terminal versions IP65	
Warranty	Limited Lifetime	