



uTrust NFC Kiosk Kit

Surface Mount Kit for Simple Gaming, Vending, and Kiosk Integration



Compact kit features contactless USB CCID reader module and antenna with LED board.

uTrust NFC Kiosk Kit includes an intelligently designed enclosure, housing the uTrust 3523 F Read Module and LED/antenna board. It supports 13.56 MHz and near-field communication (NFC) technology. This PC-linked reader module works with virtually any type of contactless credentials, including mixed populations.

Identiv's driver platform or Windows® Plug-and-Play driver allows seamless integration into any end-user environment with very little or no administration. uTrust 3523 F can even be used on Android-based solutions.

The Kiosk Kit can easily be integrated into kiosks, terminals, vending machines, slot machines, betting machines... the possibilities are endless. The module can read ID-1 cards, and the majority of popular contactless credentials available today. The LED array supports a variety of colors and, when connected to a control board, can illuminate in a variety of custom patterns and colors.

Integration Flexibility

- Compact, performance-oriented design
- Easily integrates into kiosks, terminals, vending, slot machines, betting machines, and more

Multi-Technology

- Contactless and NFC technologies allow mixed credential populations and form factors
- Supports major card ICs, standards, and technologies

Fast, Ready to Use

- Transaction time optimized with support of 424 kbps in ISO/IEC 14443 for maximum end-user acceptance
- Driver support for all major PC operating systems

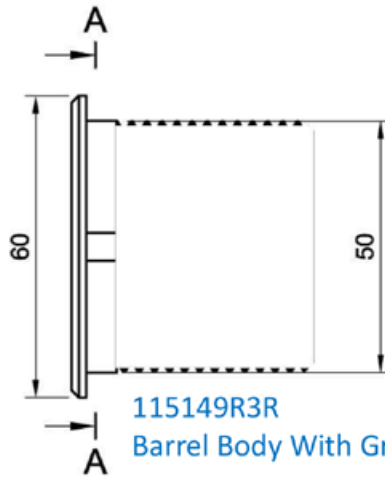
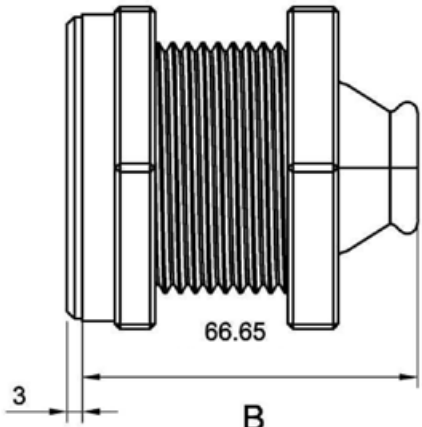
Digital Wallet-Ready

- Support for digital wallet integration is available

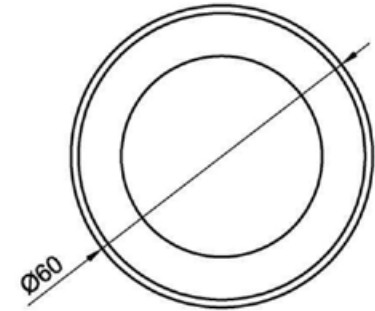
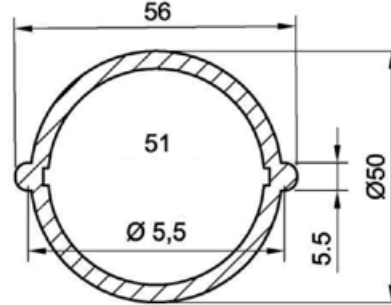
uTrust NFC Kiosk Kit

Parameter	Details
Antenna	50 ohm antenna connected through U.FL connector
Driver and Software	
PC/SC Driver	PC/SC Specification Ver. 2.01.13 for: <ul style="list-style-type: none"> • Windows® 7/8/8.1/10 (32 and 64 bit) • Windows® Server 2008/2012/2016/2019 • MacOS 10.6.x - 10.15.x • Linux 2.4.x, 2.6.x,3.x, 4.x, 5.x (32 and 64 bit) • Android 8.0 and higher
Software	PC/SC API
Operating Conditions	
Power Supply	USB Bus-powered
Power Consumption	<150 mA, excluding smart card; <500 µA in standby mode
Dimensions	66.7 x 73 mm / 2.63 x 2.87 in
Weight	<133 g ± 5% / <0.3 lb ± 5%
Operating Temperature Range	-20° to +70° C (-4° to 158° F)
Storage Temperature Range	-25° to +85° C (-13° to +185° F)
Operating Humidity Range	Up to 95% RH non-condensing
Connector	1.5m usb host cable; 4 pin connector(led board)
Status Indicator	Muli LED: Multicolor RGB
Firmware	SmartOS™
Firmware In-Field Upgradeable	Yes
Certifications and Compliances	
Systems/Standards	CCID, Microsoft® WHQL
Regulatory/Environmental	CE, FCC ready, RoHS2, REACH, WEEE
Ordering Information	
Product Part Number	905617

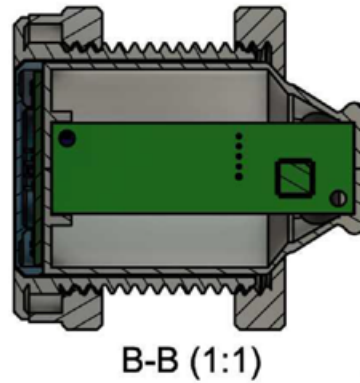
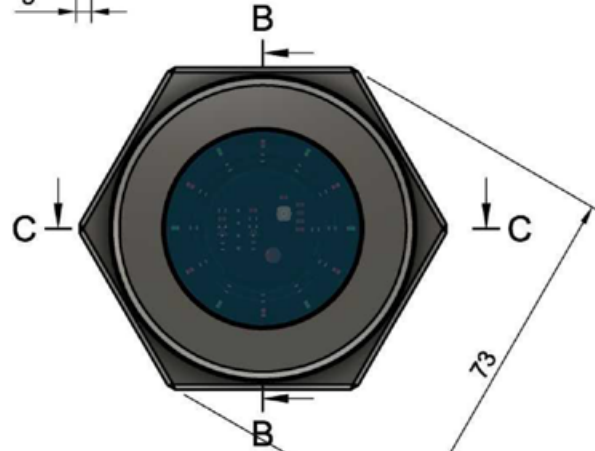
Dimensions in [mm]



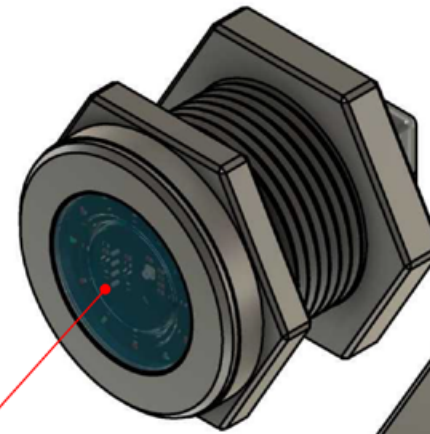
115149R3R
Barrel Body With Grooves



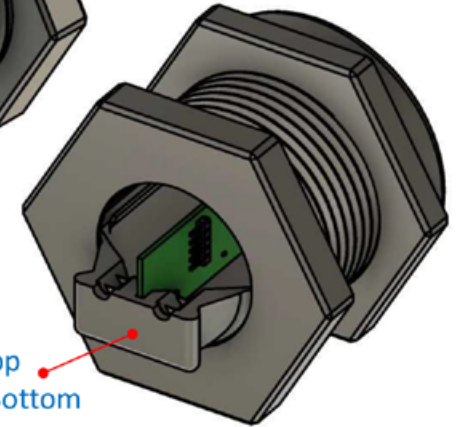
Front



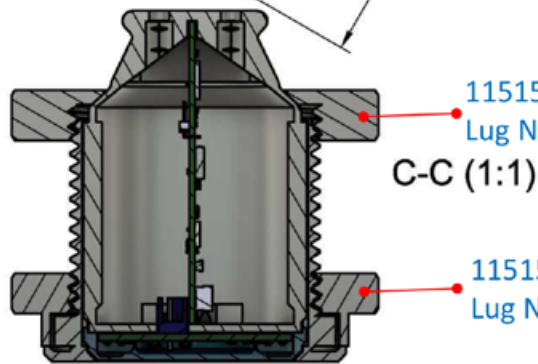
B-B (1:1)



115150R3R
Front Bezel Translucent



115153R3R PCB Holder Top
115154R3R - PCB Holder Bottom

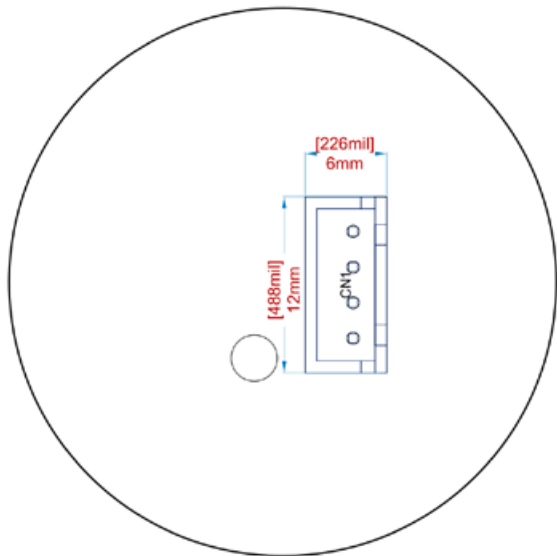
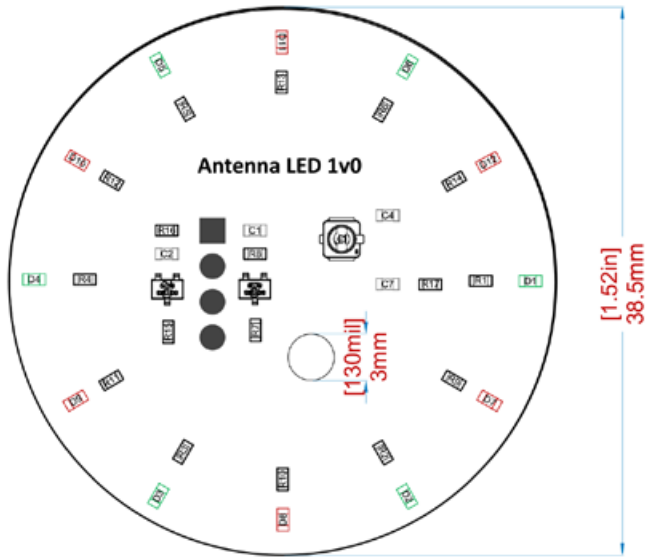
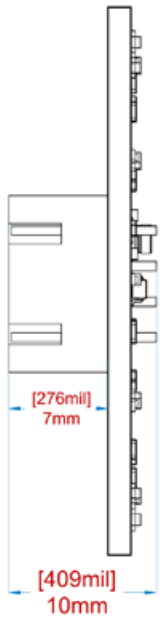


115152R3R
Lug Nut Rear
C-C (1:1)

115151R3R
Lug Nut Front

Dept.	Technical reference	Created by RZ 17.08.2022	Approved by
		Document type	Document status
		Title IDENTIV Identiv-Kiosk Kit Mk3.1	DWG No.
		Rev. Date of issue	Sheet 1/1

Identiv Kiosk Kit LED Antenna 1v0



Layer Stack Legend

Material	Layer	Thickness	Dielectric Material	Type	Gerber
Surface Material	Top Solder	0.01mm	Solder Resist	Solder Mask	GTS
Copper	Top Layer	0.04mm		Signal	GTL
		1.50mm	FR-4	Dielectric	
Copper	Bottom Layer	0.04mm		Signal	GBL
Surface Material	Bottom Solder	0.01mm	Solder Resist	Solder Mask	GBS
Total thickness: 1.59mm					

THE INFORMATION CONTAINED IN THIS DRAWING IS THE SOLE PROPERTY OF GMVC GmbH. ANY REPRODUCTION IN PART OR AS A WHOLE WITHOUT THE WRITTEN PERMISSION IS PROHIBITED.

UNLESS OTHERWISE SPECIFIED	NAME	DATE	
DIMENSIONS ARE IN INCHES TOLERANCES: FRACTIONAL: ANGULAR: MACH ± BEND ± TWO PLACE DECIMAL ± THREE PLACE DECIMAL ±	DRAWN	07.10.2022	
INTERPRET GEOMETRIC TOLERANCING PER:	CHECKED		Product details
MATERIAL:	ENG APPR. MGS		SIZE DWG. NO.
APPLICATION	MFG APPR. G.A.		SCALE: 1:1 WEIGHT: SHEET 1 OF 1
USED ON	COMMENTS:		
FINISH			
DO NOT SCALE DRAWING			